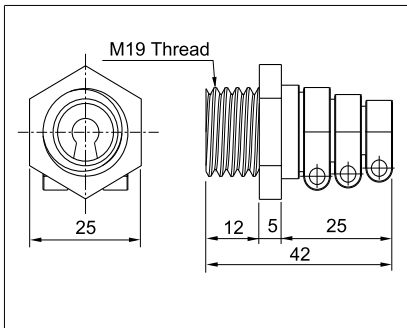


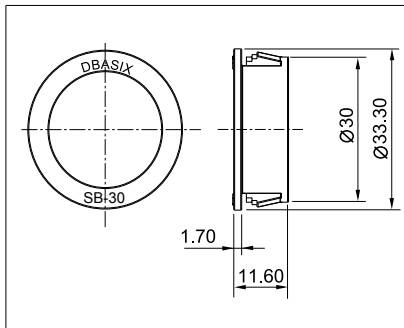
DBASIX

BC105 Speed Control Assembly

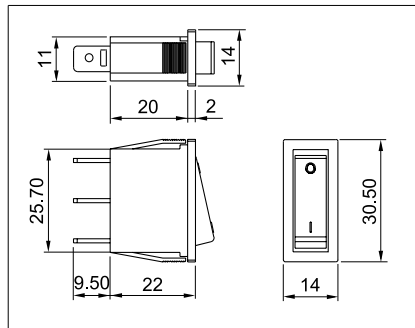
马达变频器盒



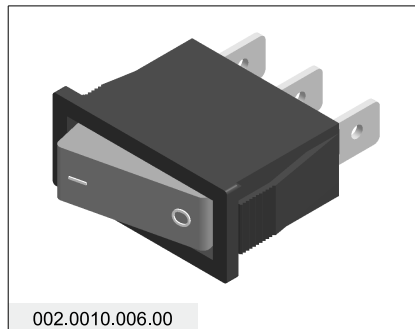
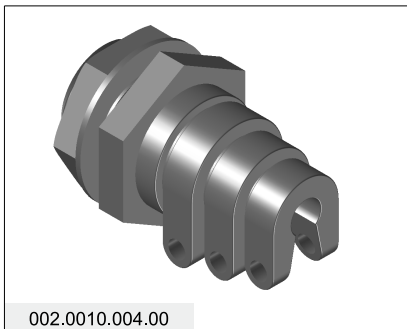
002.0010.004.00



002.0010.005.00



002.0010.006.00



Part No 型号	Description 内容	Weight 重量 / G	Material / Treatment 材料 / 表面处理
002.0010.004.00	Ø19 Cable Gland	13.6	PA, Black
002.0010.005.00	Ø30 Hole Protecting Gland	2.6	PA, Black
002.0010.006.00	Rocker Switch	7.4	PA, Black